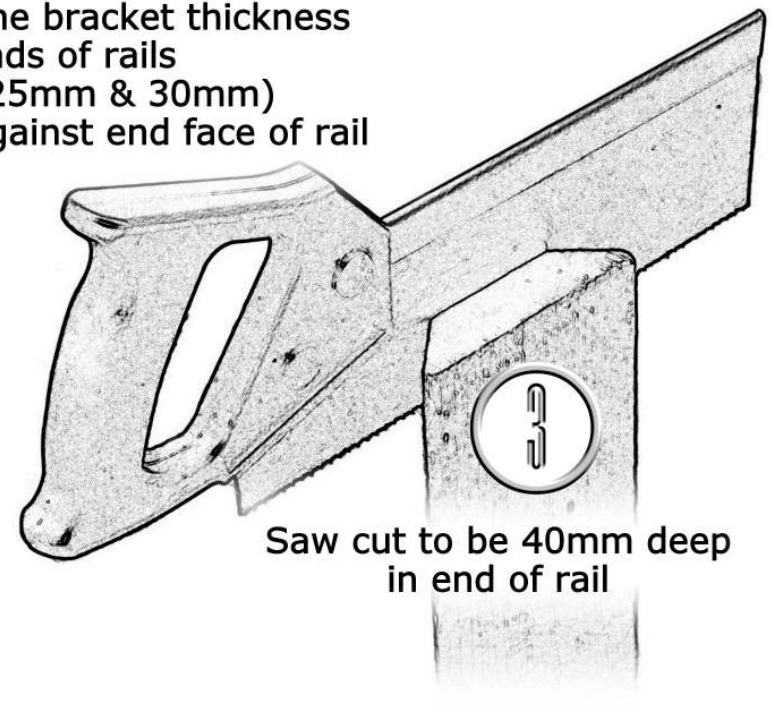
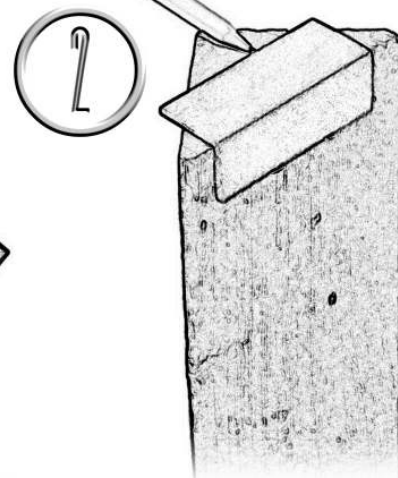
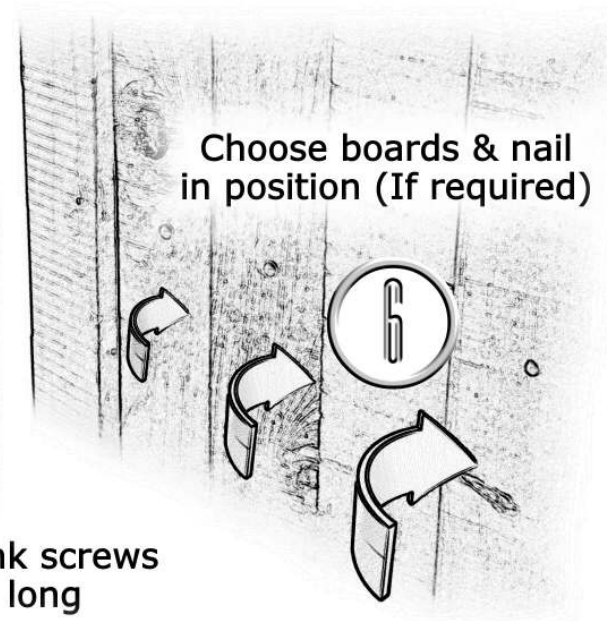
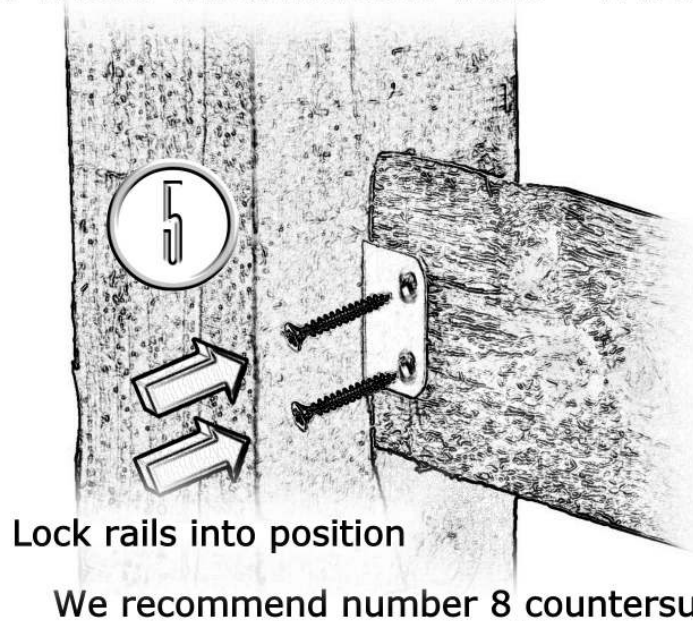
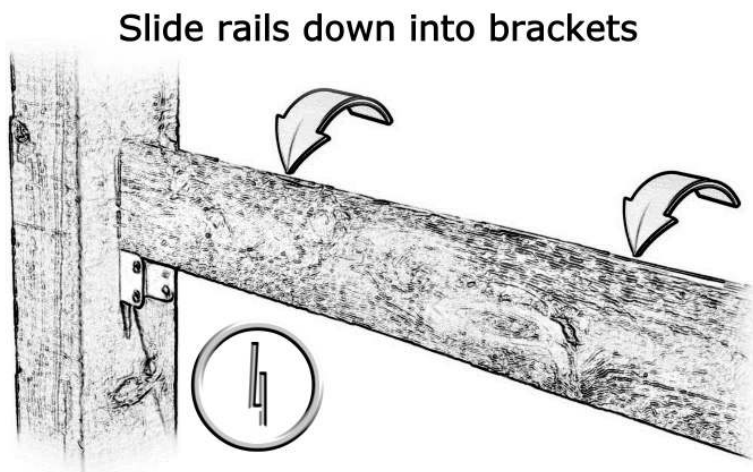


Rail length to be good fit between posts, allow a few extra mm for the bracket thickness
 Scribe lines on ends of rails
 Gauge has two sides (25mm & 30mm)
 The 30mm side should be against end face of rail



Universal Bracket example - For more information visit - www.oneslotfencing.net



Keep out of reach of children
 Handle & install with care: Sheet metal parts may have sharp edges
 Wash hands after handling: Parts have a mineral oil protective coating